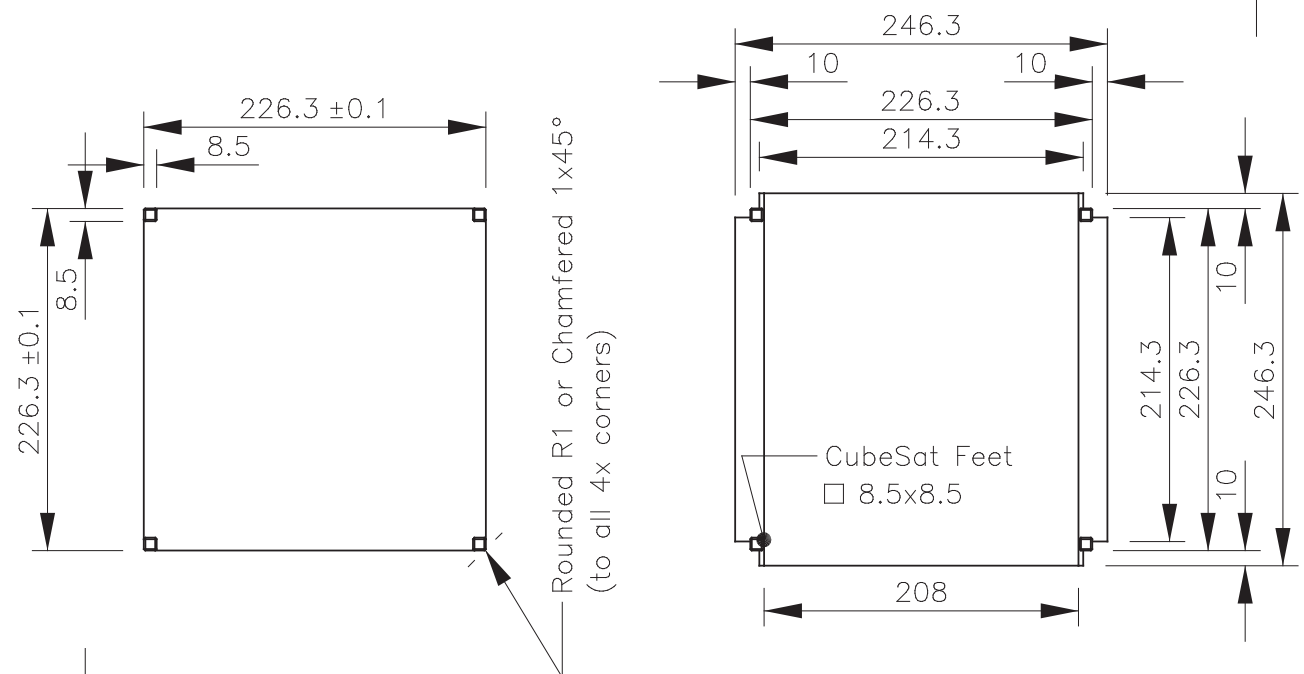


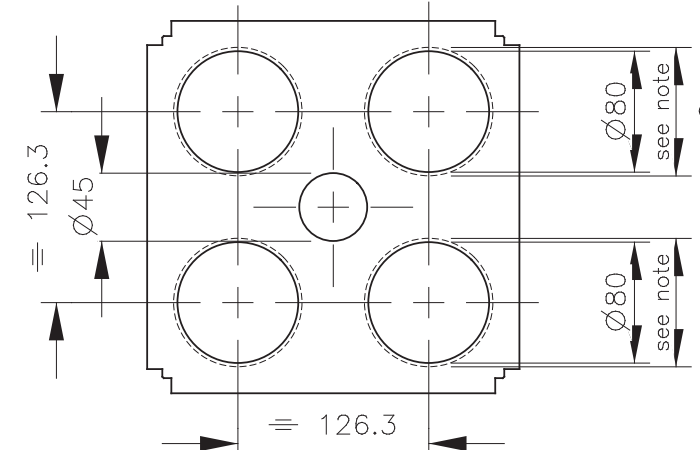
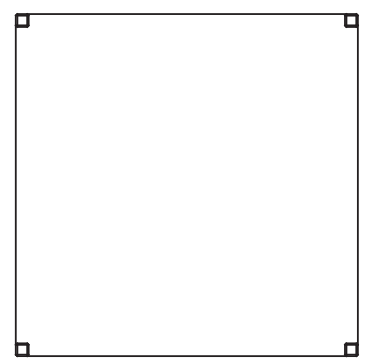
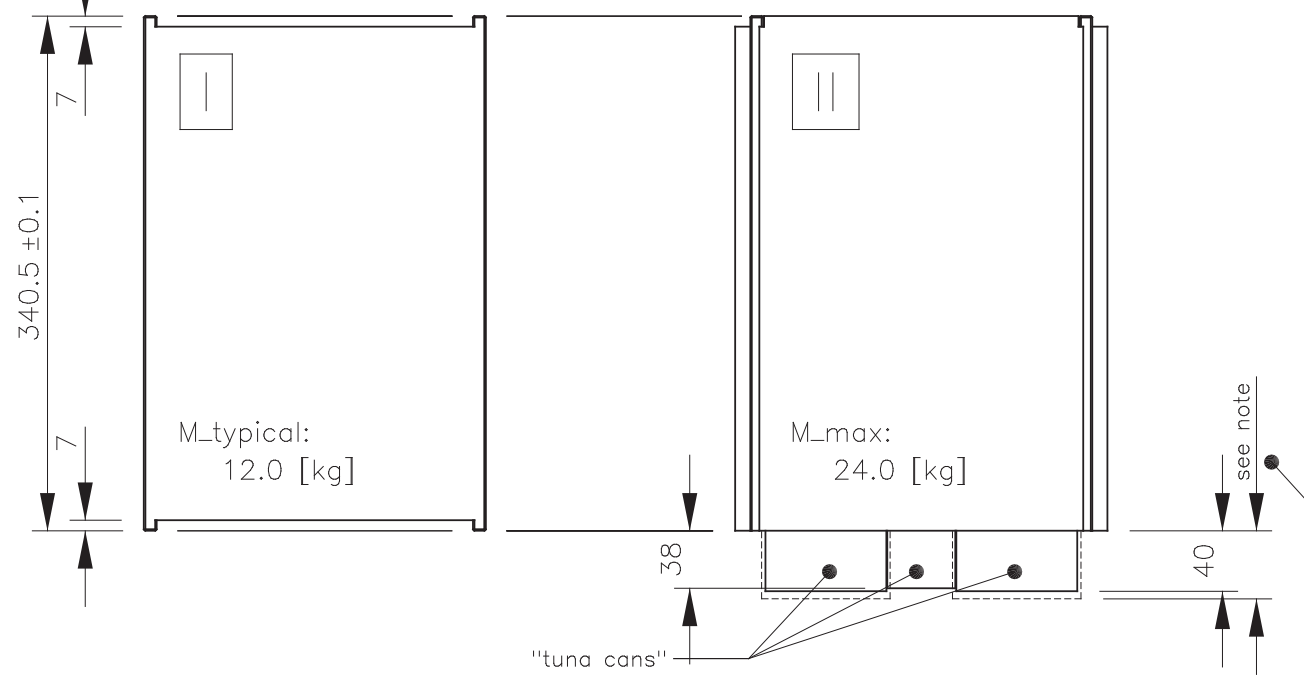
1 2 3 4 5 6 7 8

Rev	Description	Date	Initials
A	First release	17 Sep 2014	GLEB
B	Updated release	22 Sep 2014	GLEB

F
E
D
C
B
A

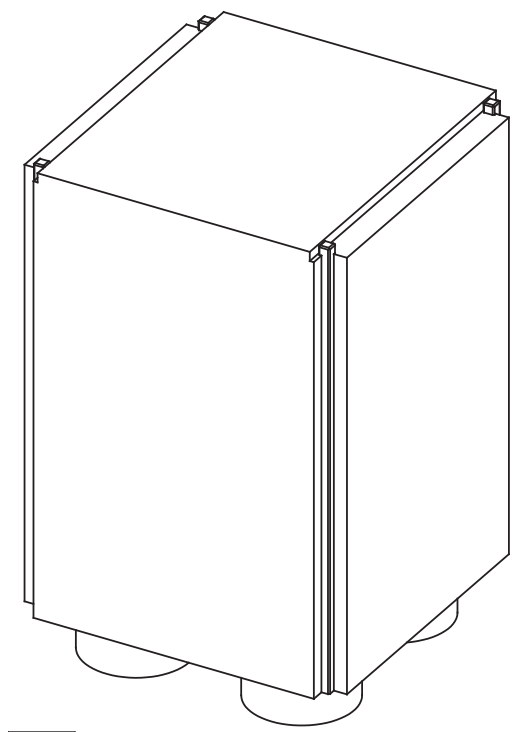
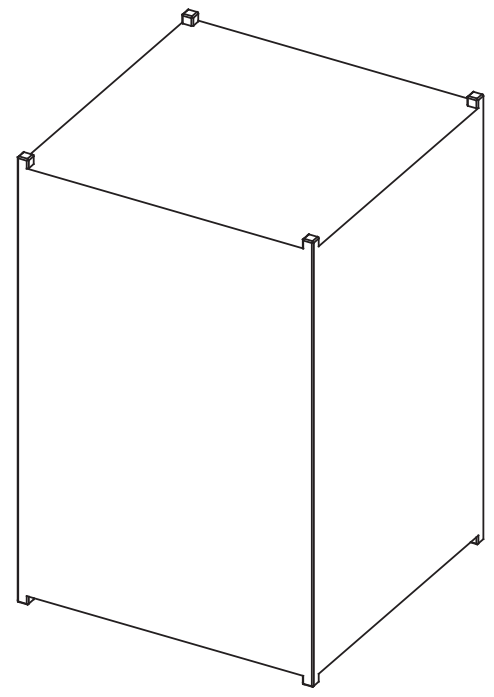


Rounded R1 or Chamfered 1x45°
(to all 4x corners)



12-Unit CubeSat Basic
Dimensions; Based on
the CubeSat Design
Specification rationale.

12-Unit CubeSat Maximum
Advised Dimensions; Applicable for
the ISIS satellite dispenser system;
The QuadPack Type-1.3



Scale 20%

For the ISIS satellite dispenser system QuadPack Type-1.3 the indicated maximum allowable volume applies, however:

The QuadPack Type-1.3 can handle an even larger "tuna cans" on the bottom.

The dotted additional volume allocations can only be used after consultation with and written approval from ISIS.



Project name	ISIS Advised Envelope	Scale	20%	By		Date		Material	n.a.
Drawing name	12-Unit CubeSat Dimensions	Size	A3	Drawn	GLEB	17 Sep 2014		Surface treatment	n.a.
Drawing number	ISIS.STS.0.1.012	Rev	B	Checked	RSLO	22 Sep 2014		Dimensions	[mm]
		Sheets	1/1	Approved	CBER	22 Sep 2014		Tolerance	±0.1

Notes:
Use "Ctrl"+"5" to select line view

1 2 3 4 5 6 7 8