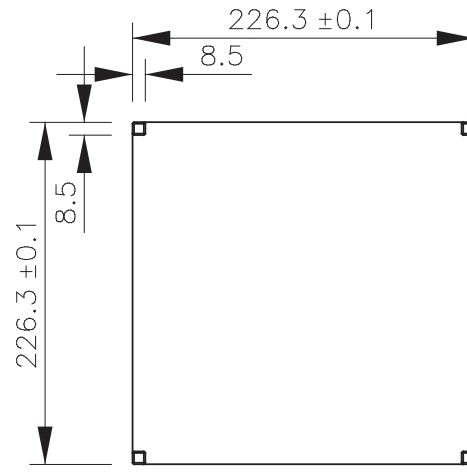
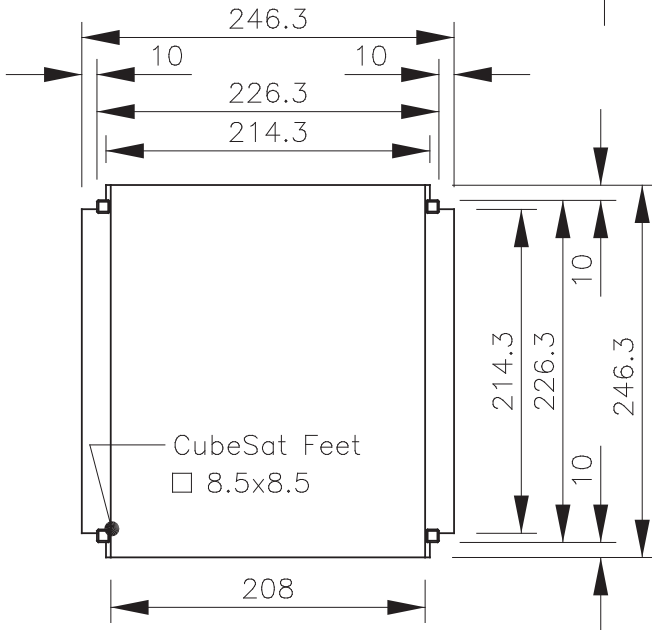


Rev	Description	Date	Initials
A	First release	17 Sep 2014	GLEB
B	Updated release	22 Sep 2014	GLEB

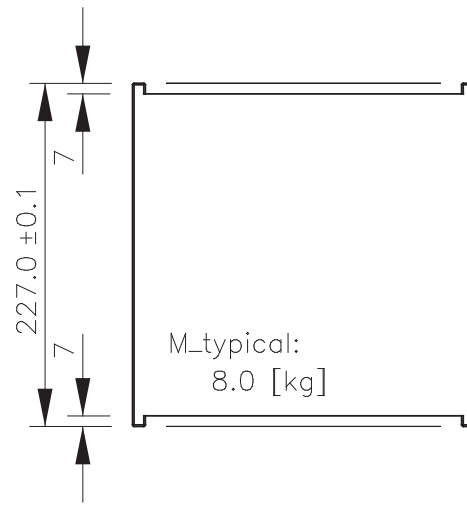


Rounded R1 or Chamfered 1x45°  
(to all 4x corners)

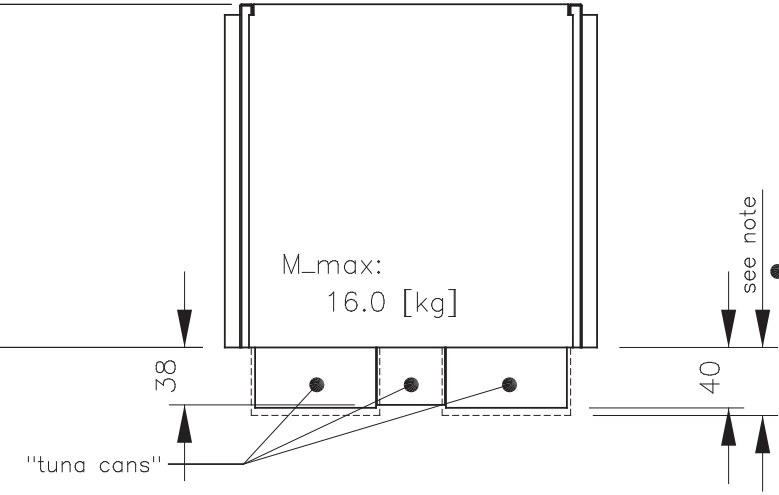


8-Unit CubeSat Basic Dimensions; Based on the CubeSat Design Specification rationale.

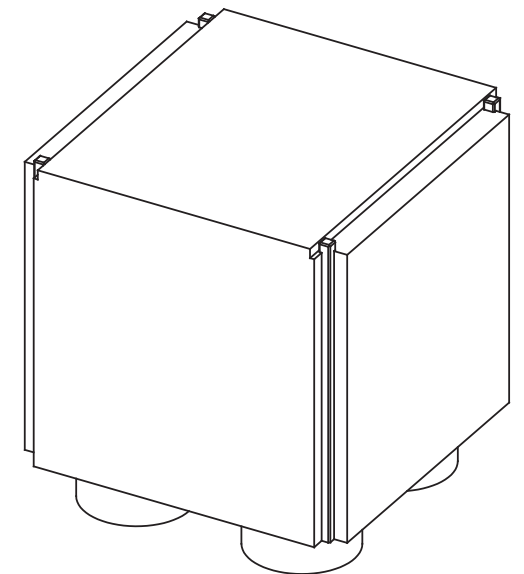
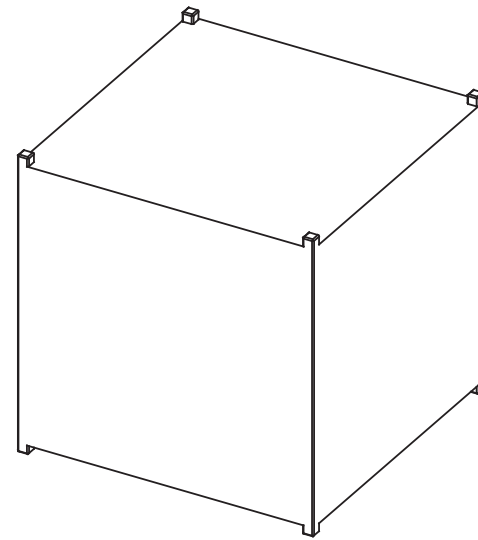
8-Unit CubeSat Maximum Advised Dimensions; Applicable for the ISIS satellite dispenser system: The QuadPack Type-1.2



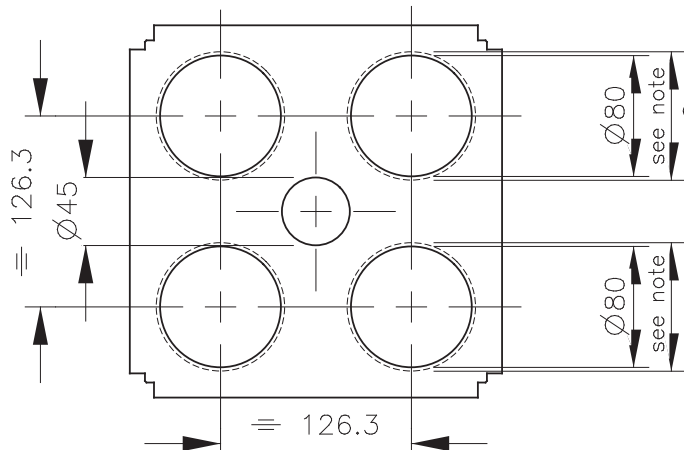
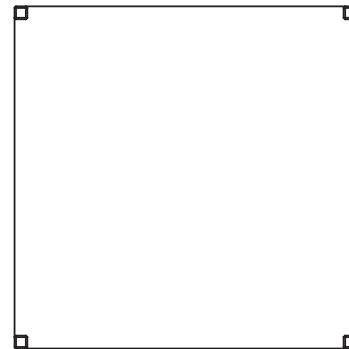
M\_typical:  
8.0 [kg]



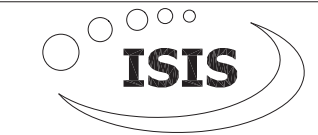
"tuna cans"



Scale 20%



For the ISIS satellite dispenser system QuadPack Type-1.2 the indicated maximum allowable volume applies, however:  
  
The QuadPack Type-1.2 can handle an even larger "tuna cans" on the bottom.  
  
The dotted additional volume allocations can only be used after consultation with and written approval from ISIS.



Project name	ISIS Advised Envelope	Scale	20%	By	GLEB	Date	17 Sep 2014	Material	n.a.
Drawing name	8-Unit CubeSat Dimensions	Size	A3	Drawn	GLEB	17 Sep 2014	Surface treatment	n.a.	Notes: Use "Ctrl"+"5" to select line view
Drawing number	ISIS.STS.0.1.008	Rev	B	Checked	RSLO	22 Sep 2014	Dimensions	[mm]	
		Sheets	1/1	Approved	CBER	22 Sep 2014	Tolerance	±0.1	