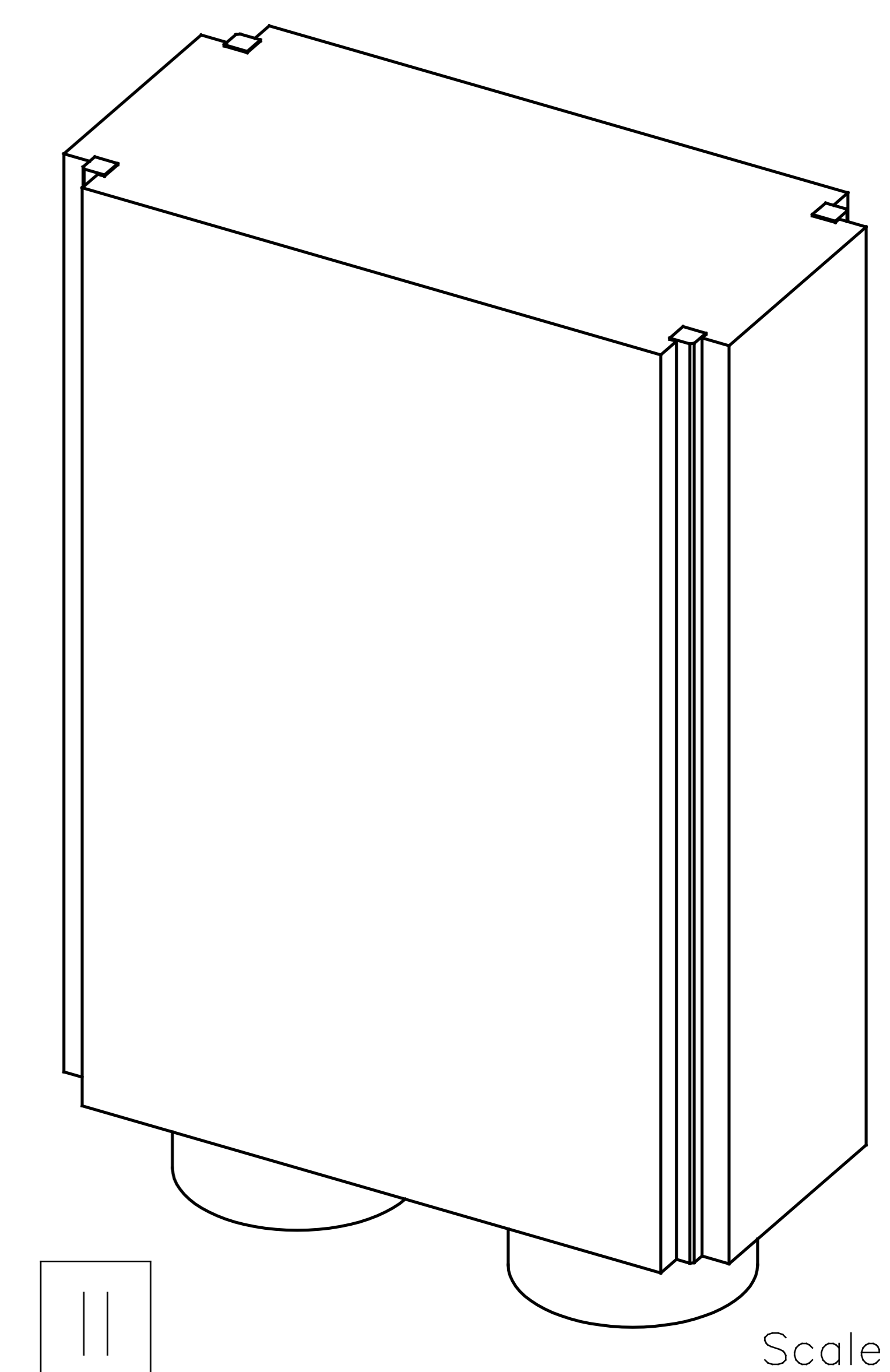
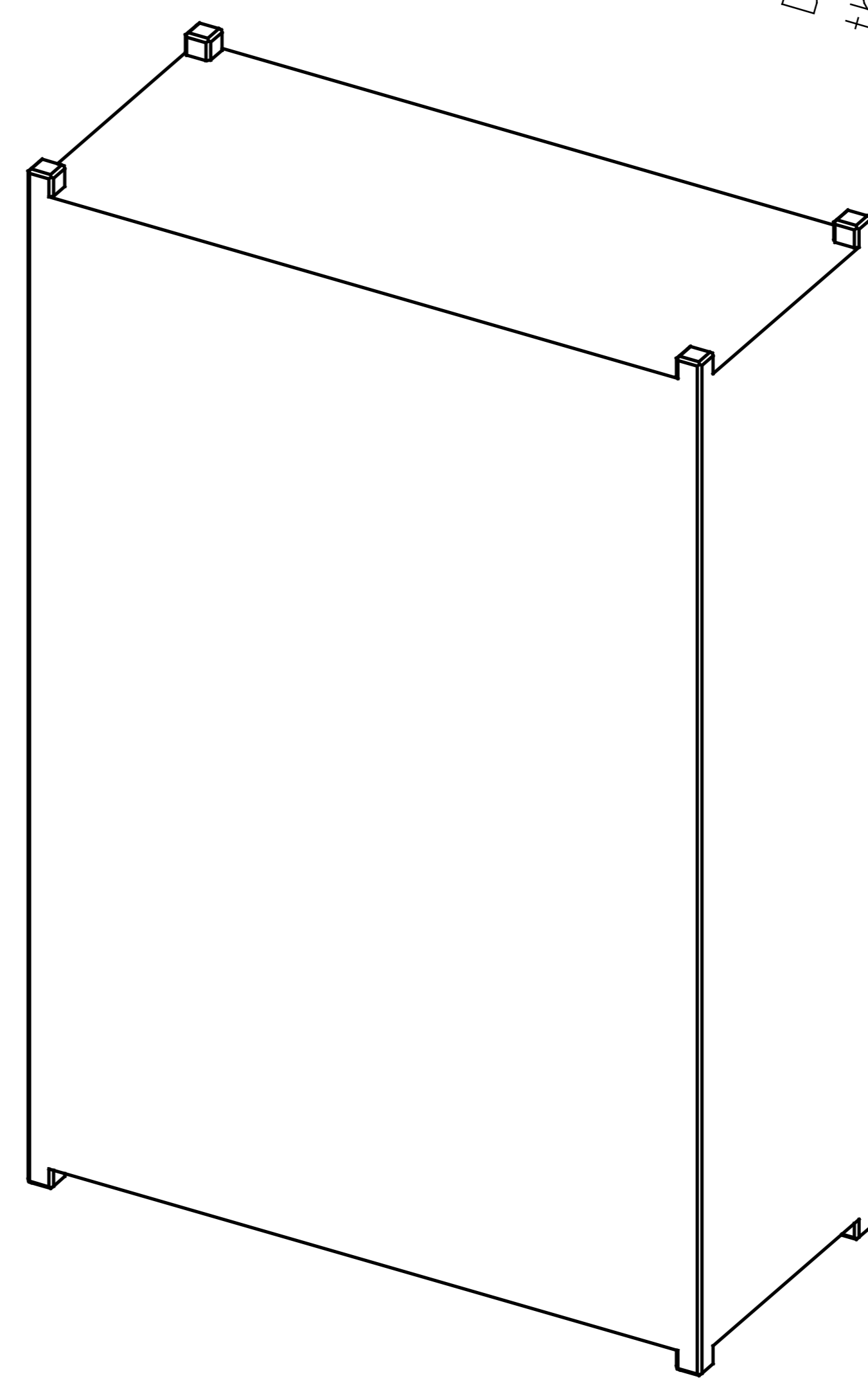
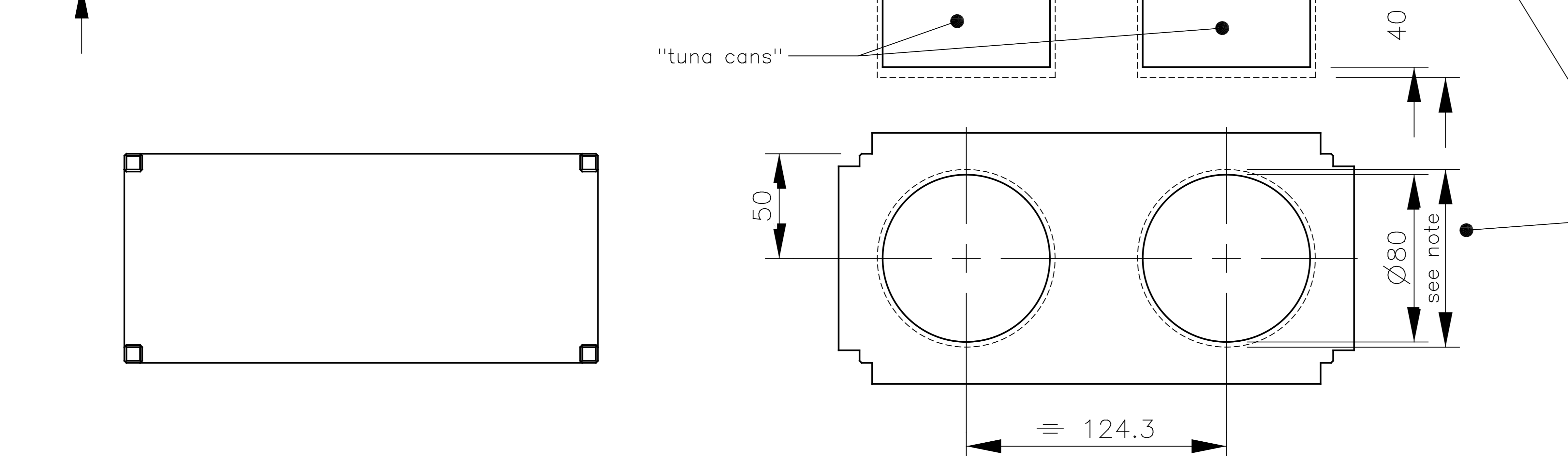
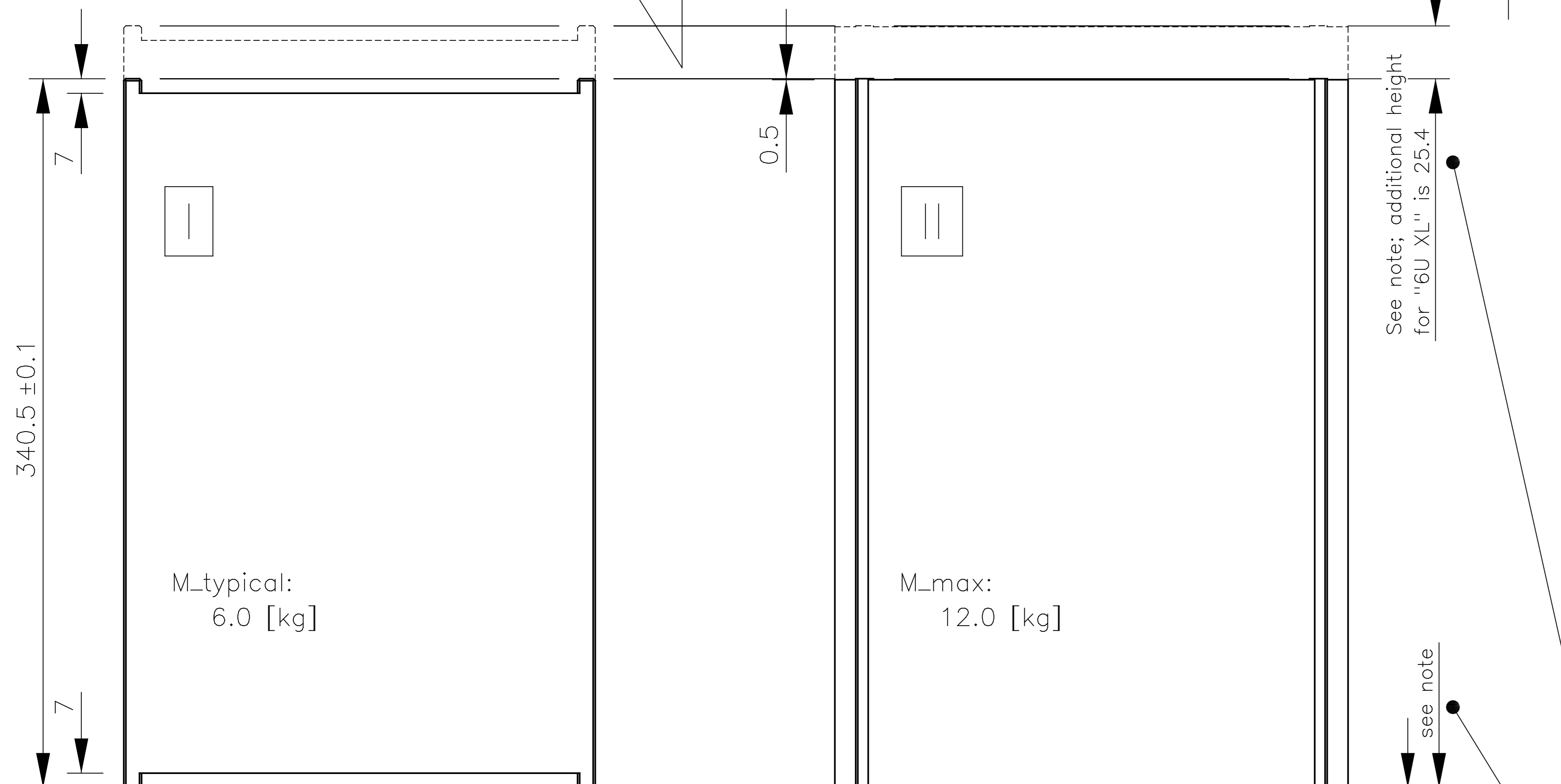
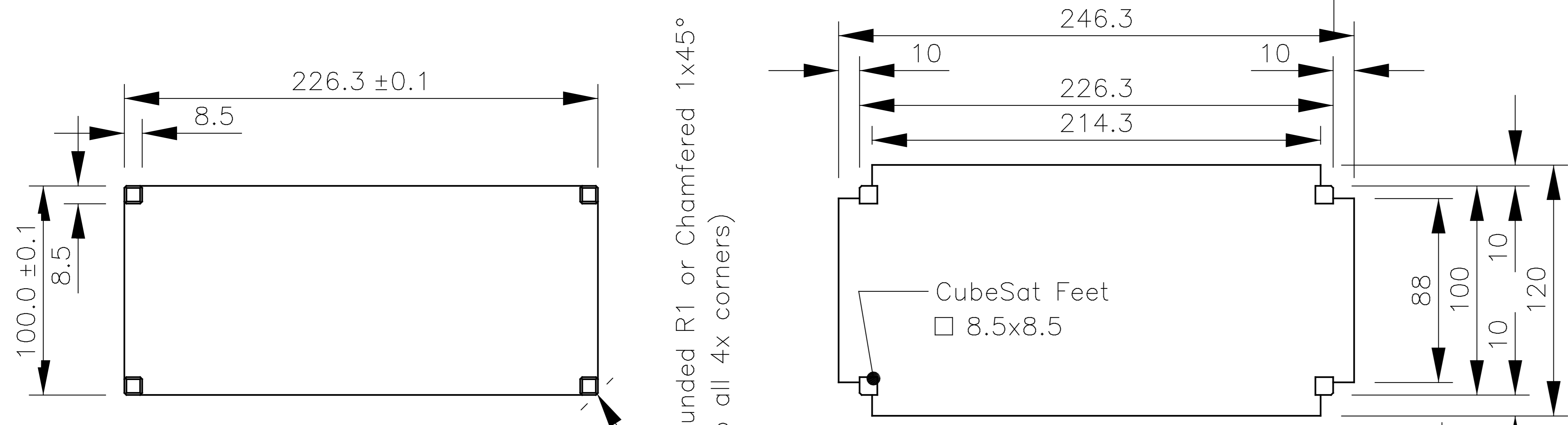


Rev	Description	Date	Initials
B	Updated release	22 Sep 2014	GLEB
C	Updated wording for 6U XL	23 Sep 2014	GLEB
D	Corrected Tuna-can spacing	01 Sep 2016	GLEB



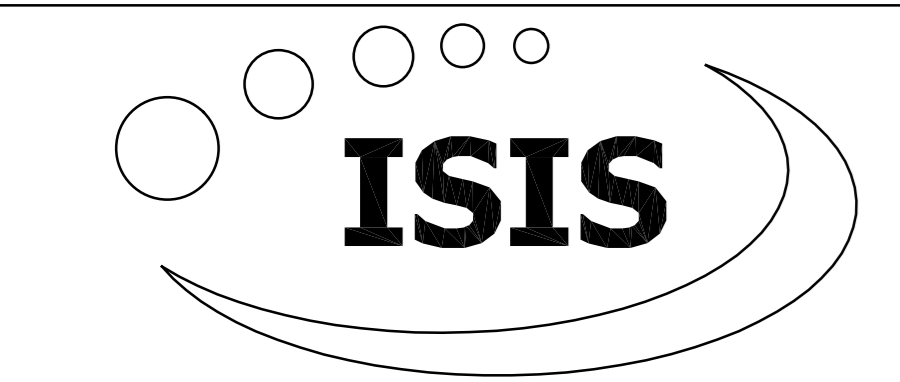
6-Unit CubeSat Basic Dimensions; Based on the CubeSat Design Specification rationale.

6-Unit CubeSat Maximum Advised Dimensions; Applicable for the ISIS satellite dispenser system: The QuadPack Type-2.3 & 3.3

For the ISIS satellite dispenser system QuadPack Type-2.3 & 3.3 the indicated maximum allowable volume applies, however:

The QuadPack Type-2.3 & 3.3 can handle an even larger "tuna cans" on the bottom. The QuadPack Type-2 XL is designed for the "6U XL", which is 25.4 [mm] longer.

The dotted additional volume allocations can only be used after consultation with and written approval from ISIS.



Project name	ISIS Advised Envelope	Scale	30%	By		Date		Material	n.a.
Drawing name	6-Unit CubeSat Dimensions	Size	A3	Drawn	GLEB	01 Sep 2016		Surface treatment	n.a.
Drawing number	ISIS.STS.0.1.006	Rev	D	Checked	RSLO	01 Sep 2016		Dimensions	[mm]
		Sheets	1/1	Approved	CBER	01 Sep 2016		Tolerance	±0.1

Notes:
Use "Ctrl"+"5" to select line view